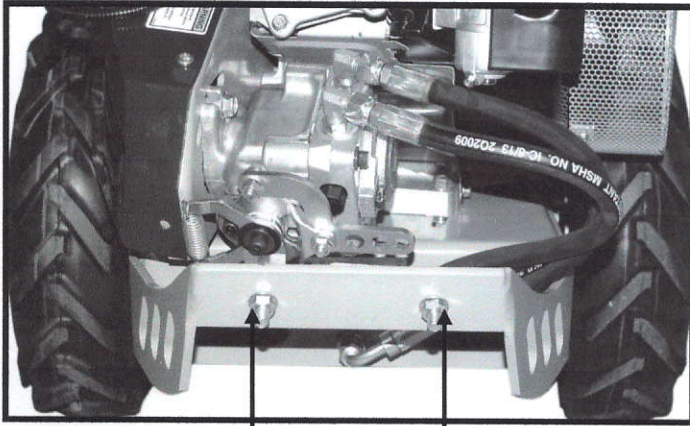
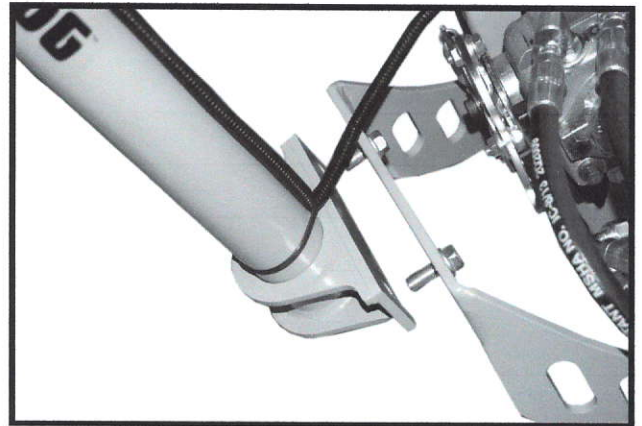


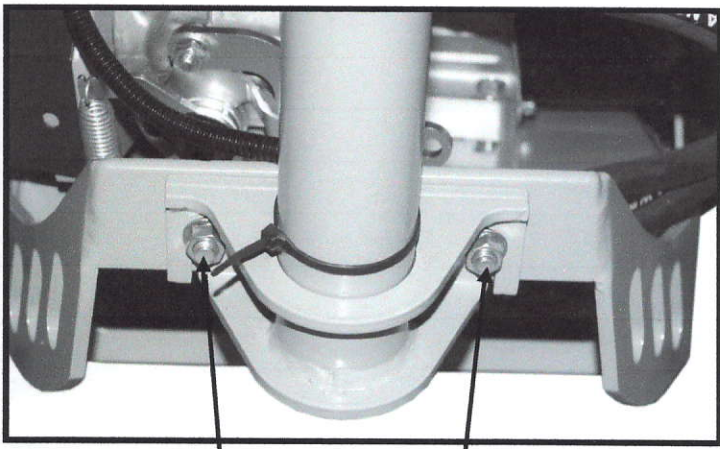
ASSEMBLY



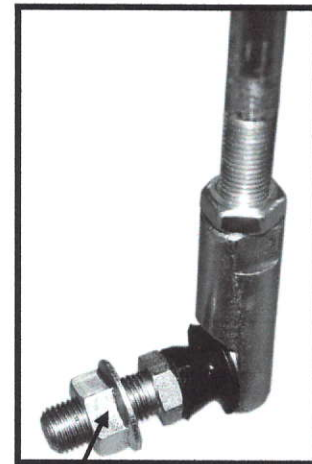
STEP 1
Remove 2 nuts



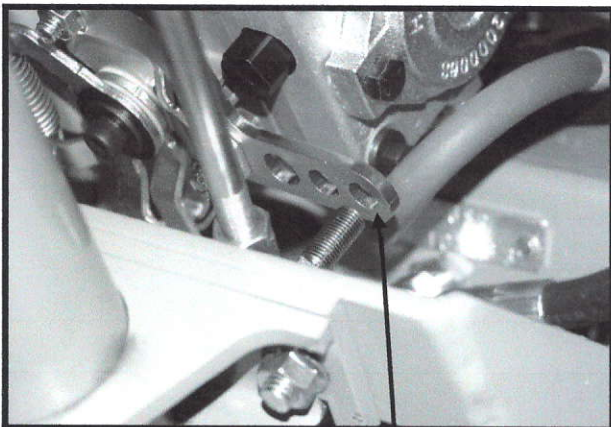
STEP 2
Slide handle onto bolts



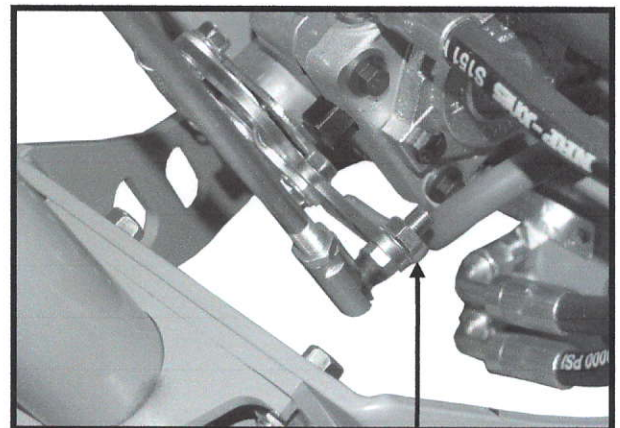
STEP 3



STEP 4
Remove 1 nut



STEP 5



STEP 6